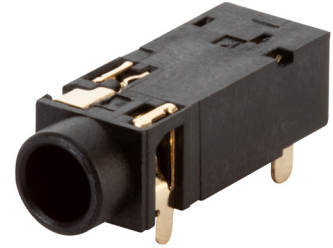
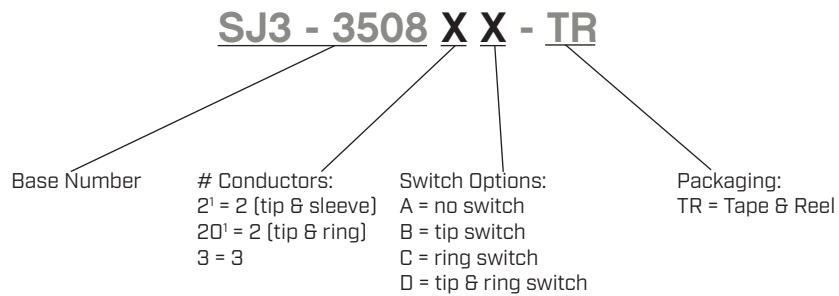


SERIES: SJ3-3508X | **DESCRIPTION:** AUDIO JACK

FEATURES

- 3.5 mm audio jack
- through hole
- tape & reel packaging
- multiple switch variations


PART NUMBER KEY


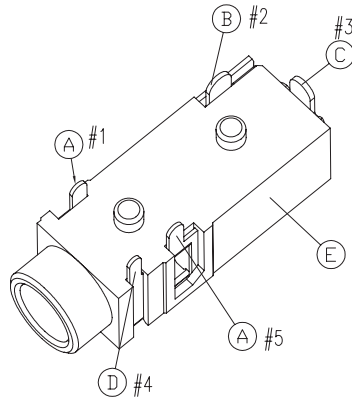
Note: 1, 2 conductor option only available with tip switch

SPECIFICATIONS

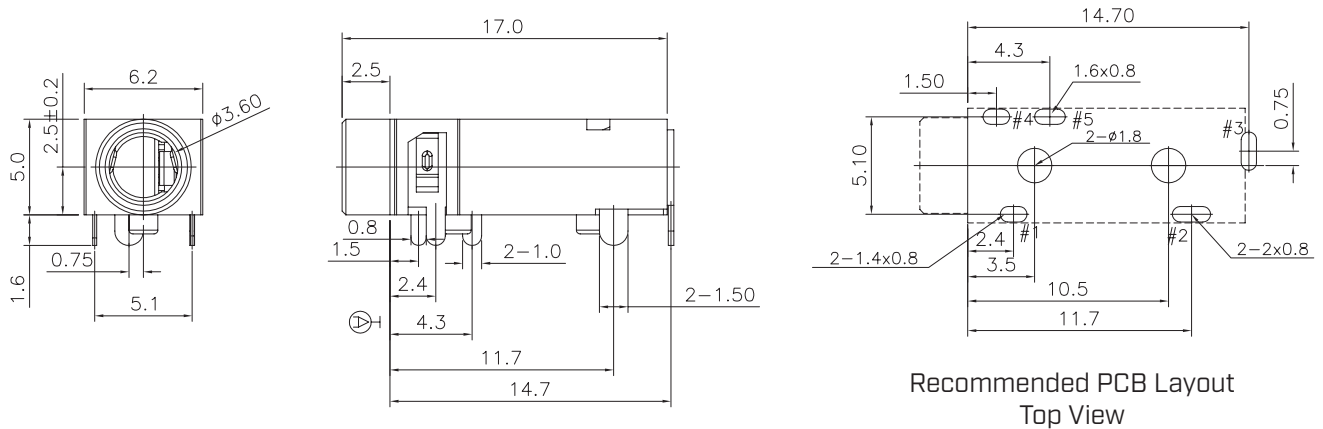
parameter	conditions/description	min	typ	max	units
rated input voltage			12		Vdc
rated input current				1	A
contact resistance				30	mΩ
insulation resistance	at 500 Vdc	100			MΩ
voltage withstand	for 1 minute			500	Vac
insertion/withdrawal force		0.3		3	kg
operating temperature		-25		85	°C
life			5,000		cycles
flammability rating	UL94V-0				
RoHS	yes				

MECHANICAL DRAWING

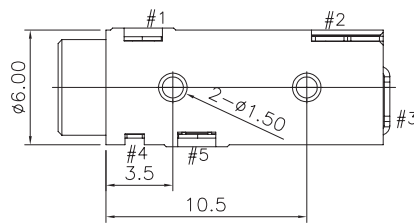
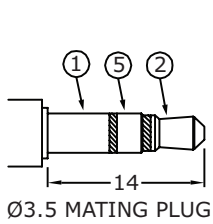
units: mm
 tolerance:
 X.X ±0.30 mm
 X.XX ±0.20 mm
 X.XXX ±0.15 mm
 PCB: ±0.05 mm
 unless otherwise specified



ITEM	DESCRIPTION	MATERIAL	PLATING/COLOR
A	terminal 1 & 5	phosphor bronze	gold flash over nickel
B	terminal 2	phosphor bronze	gold flash over nickel
C	terminal 3	brass	gold flash over nickel
D	terminal 4	brass	gold flash over nickel
E	housing	PA10T (UL94V-0)	black



Recommended PCB Layout
Top View

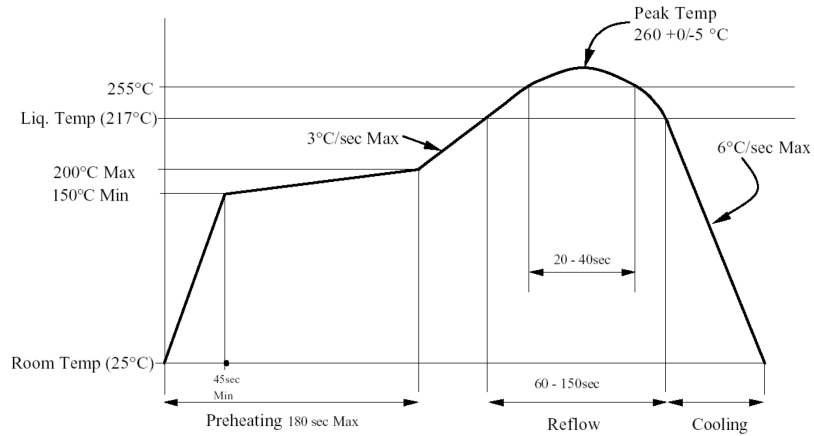


Model No.	SJ3-35082B-TR	SJ3-350820B-TR	SJ3-35083A-TR	SJ3-35083B-TR	SJ3-35083C-TR	SJ3-35083D-TR
Schematic						
PIN						
1	sleeve	NP	sleeve	sleeve	sleeve	sleeve
2	tip	tip	tip	tip	tip	tip
3	tip switch	tip switch	NP	tip switch	NP	tip switch
4	NP	NP	NP	NP	ring switch	ring switch
5	NP	ring	ring	ring	ring	ring

SOLDERABILITY

parameter	conditions/description	min	typ	max	units
reel storage	5~25°C, 20~75% humidity				
reflow soldering	see reflow profile	255	260		°C

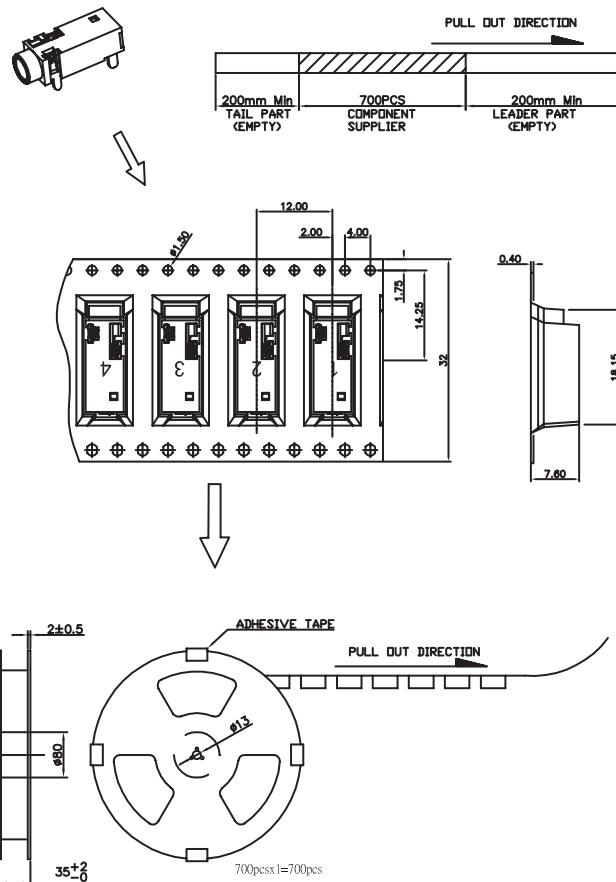
Note: 2. CUI Devices recommends usage of the product within 24 hours after T&R is opened. After 24 hours, CUI Devices recommends drying the parts prior to use.



PACKAGING

units: mm

Reel Size: Ø330 mm
Reel QTY: 700 pcs per reel



REVISION HISTORY

rev.	description	date
1.0	initial release	06/12/2024

The revision history provided is for informational purposes only and is believed to be accurate.



CUI Devices offers a one (1) year limited warranty. Complete warranty information is listed on our website.

CUI Devices reserves the right to make changes to the product at any time without notice. Information provided by CUI Devices is believed to be accurate and reliable. However, no responsibility is assumed by CUI Devices for its use, nor for any infringements of patents or other rights of third parties which may result from its use.

CUI Devices products are not authorized or warranted for use as critical components in equipment that requires an extremely high level of reliability. A critical component is any component of a life support device or system whose failure to perform can be reasonably expected to cause the failure of the life support device or system, or to affect its safety or effectiveness.

cuidevices.com