

**MODEL:** SJ3-35033A | **DESCRIPTION:** AUDIO JACK

**FEATURES**

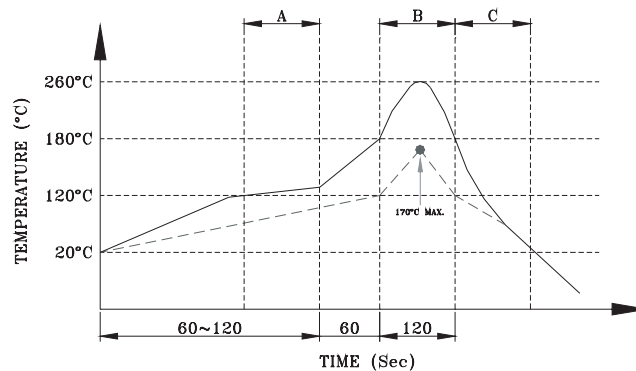
- 3.5 mm audio jack
- through hole
- tray packaging


**SPECIFICATIONS**

parameter	conditions/description	min	typ	max	units
rated input voltage			12		Vdc
rated input current				1	A
contact resistance				50	mΩ
insulation resistance	at 500 Vdc	100			MΩ
voltage withstand	for 1 minute			500	Vac
insertion/withdrawal force		0.3		3	kg
operating temperature		-25		85	°C
life			5,000		cycles
flammability rating	UL94V-0				
RoHS	yes				

**SOLDERABILITY**

parameter	conditions/description	min	typ	max	units
wave soldering	for max 5 seconds	255	260	265	°C

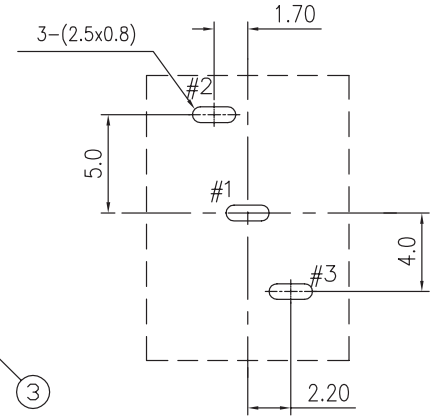
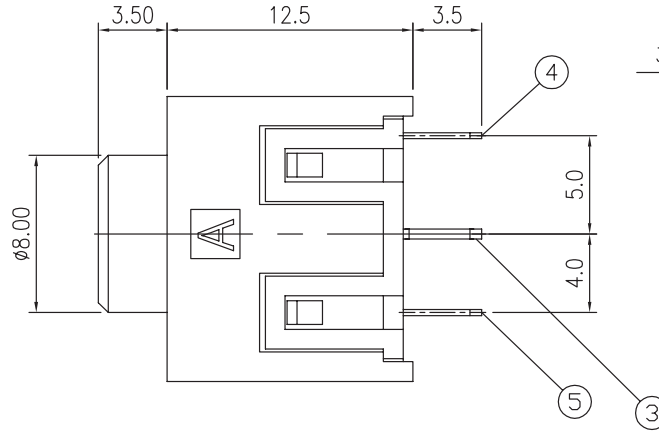
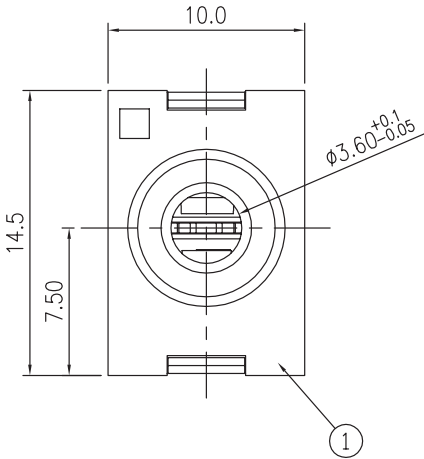


- A. Preheating  
 B. Soldering  
 C. Cooling
- Pin Temperature  
 - - - Component Temperature

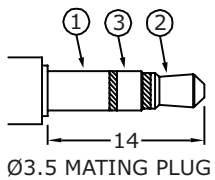
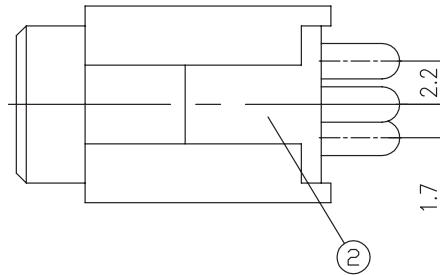
## MECHANICAL DRAWING

units: mm  
 tolerance:  
 X.X ±0.30 mm  
 X.XX ±0.25 mm  
 X.XXX ±0.15 mm  
 PCB: ±0.05 mm  
 unless otherwise specified

ITEM	DESCRIPTION	MATERIAL	PLATING/COLOR
1	housing	PBT [UL4V-0]	black
2	cover	PBT [UL4V-0]	black
3	terminal 1	C5210-EH t=0.50	silver over nickel
4	terminal 2	C5210-SH t=0.30	silver over nickel
5	terminal 3	SUS301-H t=0.30	silver over nickel



Recommended PCB Layout  
Top View



$\phi 3.5$  MATING PLUG

Model No.	SJ3-35033A
Schematic	
PIN	
1	sleeve
2	tip
3	ring

## REVISION HISTORY

rev.	description	date
1.0	initial release	06/12/2024

The revision history provided is for informational purposes only and is believed to be accurate.



CUI Devices offers a one (1) year limited warranty. Complete warranty information is listed on our website.

CUI Devices reserves the right to make changes to the product at any time without notice. Information provided by CUI Devices is believed to be accurate and reliable. However, no responsibility is assumed by CUI Devices for its use, nor for any infringements of patents or other rights of third parties which may result from its use.

CUI Devices products are not authorized or warranted for use as critical components in equipment that requires an extremely high level of reliability. A critical component is any component of a life support device or system whose failure to perform can be reasonably expected to cause the failure of the life support device or system, or to affect its safety or effectiveness.

[cuidevices.com](http://cuidevices.com)