


MODEL: SJ3-350122B | **DESCRIPTION:** AUDIO JACK

FEATURES

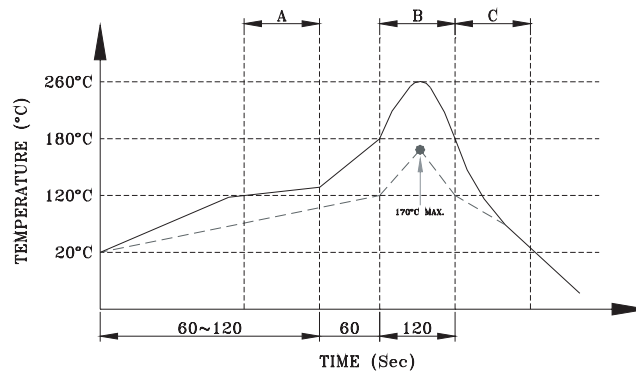
- 3.5 mm audio jack
- through hole
- tray packaging


SPECIFICATIONS

parameter	conditions/description	min	typ	max	units
rated input voltage			12		Vdc
rated input current				1	A
contact resistance				50	mΩ
insulation resistance	at 500 Vdc	100			MΩ
voltage withstand	for 1 minute			500	Vac
insertion/withdrawal force		0.3		3	kg
operating temperature		-25		85	°C
life			5,000		cycles
flammability rating	UL94V-0				
RoHS	yes				

SOLDERABILITY

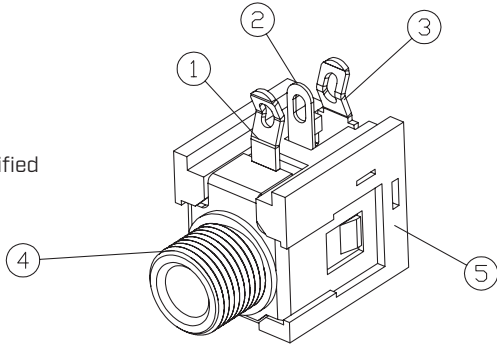
parameter	conditions/description	min	typ	max	units
wave soldering	for max 5 seconds	255	260	265	°C



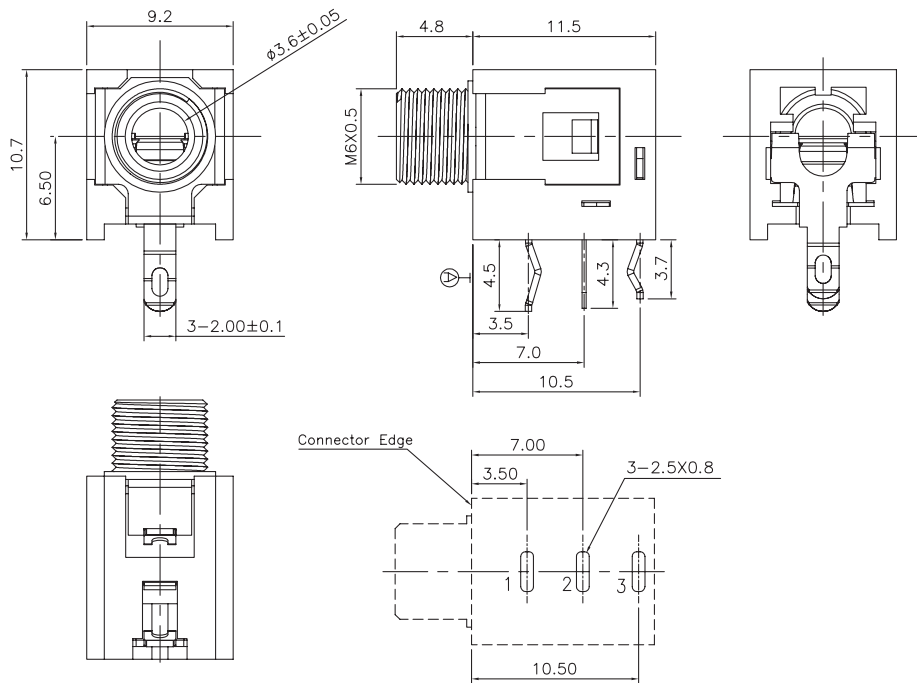
- A. Preheating
 B. Soldering
 C. Cooling
- Pin Temperature
 - - - Component Temperature

MECHANICAL DRAWING

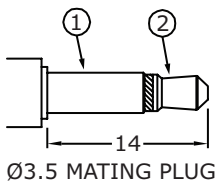
units: mm
 tolerance:
 X.X ±0.30 mm
 X.XX ±0.25 mm
 X.XXX ±0.20 mm
 PCB: ±0.05 mm
 unless otherwise specified



ITEM	DESCRIPTION	MATERIAL	PLATING/COLOR
1	terminal 1	steel t=0.40	tin
2	terminal 2	C5191 t=0.25	tin
3	terminal 3	C2680 t=0.40	tin
4	bushing	C2680	nickel
5	housing	PBT 4815 (UL94V-0)	black



Recommended PCB Layout
Top View

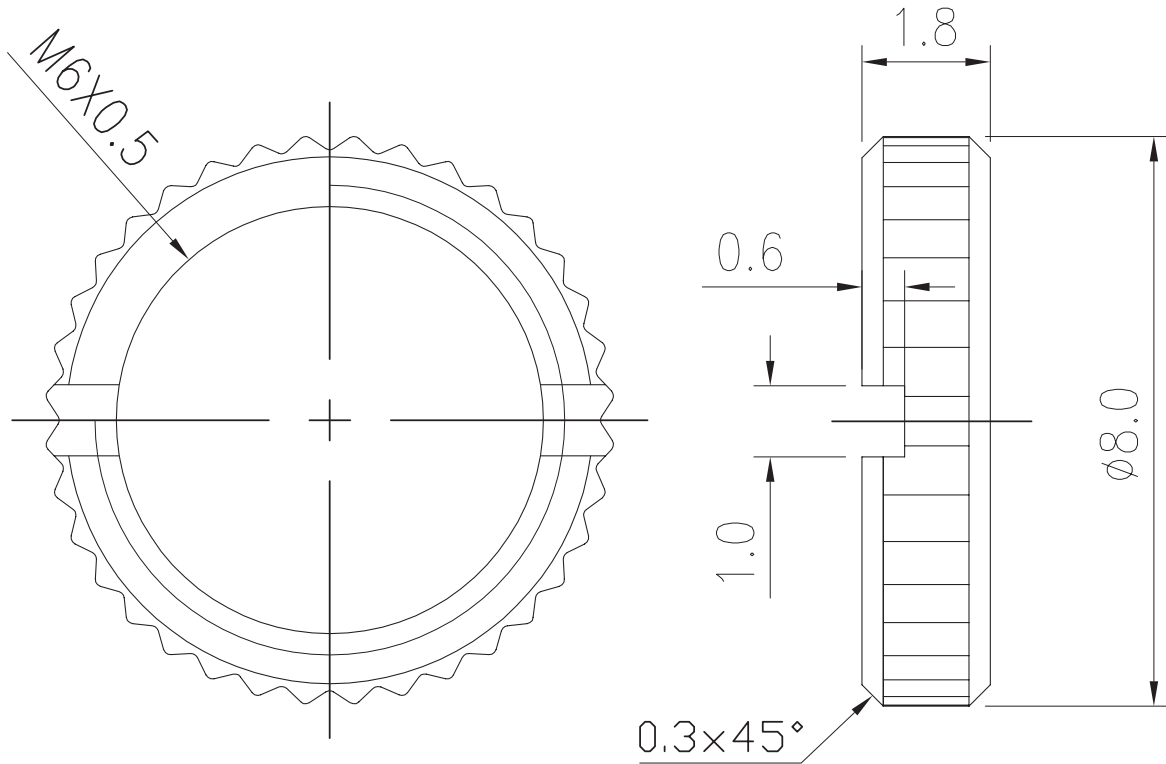


Model No.	SJ3-350122B
Schematic	
PIN	
1	sleeve
2	tip
3	tip switch

MECHANICAL DRAWING (CONTINUED)

units: mm
 tolerance: ± 0.3 mm
 unless otherwise specified

DESCRIPTION	MATERIAL	PLATING/COLOR
nut	copper alloy	nickel



REVISION HISTORY

rev.	description	date
1.0	initial release	06/12/2024

The revision history provided is for informational purposes only and is believed to be accurate.



CUI Devices offers a one (1) year limited warranty. Complete warranty information is listed on our website.

CUI Devices reserves the right to make changes to the product at any time without notice. Information provided by CUI Devices is believed to be accurate and reliable. However, no responsibility is assumed by CUI Devices for its use, nor for any infringements of patents or other rights of third parties which may result from its use.

CUI Devices products are not authorized or warranted for use as critical components in equipment that requires an extremely high level of reliability. A critical component is any component of a life support device or system whose failure to perform can be reasonably expected to cause the failure of the life support device or system, or to affect its safety or effectiveness.

cuidevices.com