

Product Change Notice (PCN)

Date: 07/25/2024

PCN Number: PCN-0456739R-01

To Our Customers:

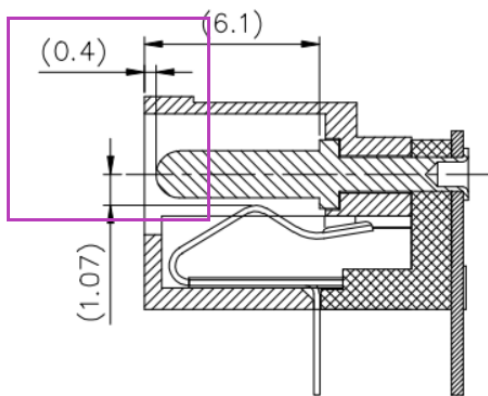
We appreciate your use of our products. Our commitment in maintaining and improving processes is demonstrated by plans to enhance our product quality, reliability, and manufacturability. The purpose of this notice is to inform you of a product change.

Product(s) Affected: *PJ-018 & PJ-018H*

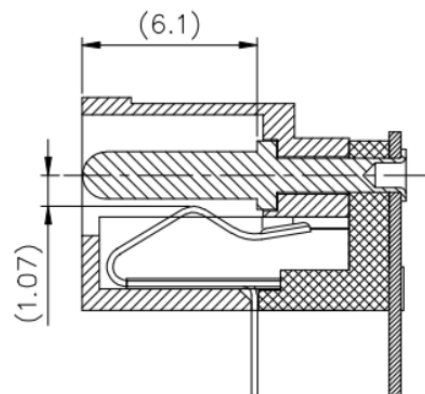
Reason(s) for Change: *Manufacturing Improvement processes*

Description of Change: *Center pin increase from 5.7mm to 6.1mm. See image below for reference and check CUI Devices website for updated drawing. Cosmetic differences may be visible and not affect the form fit and function of the product.*

OLD



NEW





Affected Date Code: All orders shipped from **07/26/2024**

PCN Approval:

Operations/Quality

A handwritten signature in black ink, appearing to read "Rae O'Brien", written over a horizontal line.

Product Management

A handwritten signature in black ink, appearing to read "J. [unclear]", written over a horizontal line.